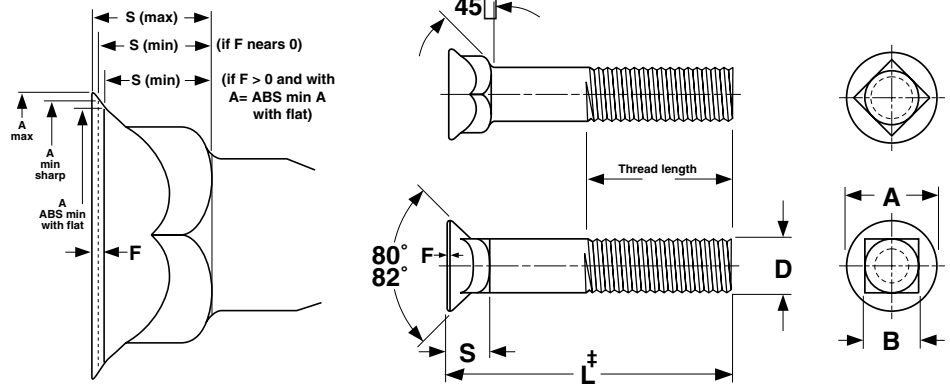


# Bolts & Cap Screws

## Plow Bolts



Nominal Diameter	E Diameter of Full Size Body		A Diameter of Head			F Feed Thickness	S Depth of Square and Head		B Width of Square	
	Max	Min	Max	Min Sharp	Abs. Min with Flat	Max	Max	Min	Max	Min (Basic)
5/16	0.312	0.299	0.605	0.578	0.563	0.025	0.269	0.243	0.325	0.313
3/8	0.375	0.360	0.708	0.671	0.656	0.031	0.312	0.281	0.387	0.375
7/16	0.438	0.421	0.826	0.781	0.766	0.036	0.364	0.328	0.450	0.438
1/2	0.500	0.483	0.945	0.890	0.875	0.042	0.417	0.375	0.515	0.500
5/8	0.657	0.606	1.147	1.094	1.063	0.050	0.506	0.456	0.640	0.625
3/4	0.782	0.729	1.303	1.250	1.219	0.050	0.541	0.491	0.765	0.750
7/8	0.938	0.853	1.512	1.469	1.406	0.063	0.626	0.563	0.906	0.875
1	1.062	0.976	1.700	1.656	1.594	0.063	0.690	0.627	1.031	1.000
Tolerance on Length		Nominal Bolt Size		All Lengths						
		1/4 through 3/8		±0.03						
		7/16 and 1/2		±0.06						
		5/8 through 1		±0.12						
<b>MINIMUM THREAD LENGTH OF PLOW BOLTS (2D + 0.25)</b>										
Recommended Bolt Length	Nominal Bolt Diameter, D									
	5/16	3/8	7/16	1/2	5/8	3/4	7/8	1		
1	T to H	T to H	-	-	-	-	-	-		
1-1/4	0.875	T to H	T to H	T to H	T to H	-	-	-		
1-1/2	0.875	1.000	T to H	T to H	T to H	T to H	T to H	-		
1-3/4	0.875	1.000	1.125	1.250	T to H	T to H	T to H	T to H		
2	0.875	1.000	1.125	1.250	T to H	T to H	T to H	T to H		
2-1/4	0.875	1.000	1.125	1.250	1.500	T to H	T to H	T to H		
2-1/2	0.875	1.000	1.125	1.250	1.500	1.750	T to H	T to H		
3	0.875	1.000	1.125	1.250	1.500	1.750	2.000	2.250		
3-1/2	0.875	1.000	1.125	1.250	1.500	1.750	2.000	2.250		
4	0.875	1.000	1.125	1.250	1.500	1.750	2.000	2.250		

ASME B18.9-1996

‡Length of a plow bolt is measured from the top of the head to the extreme end of the bolt.

**The value-added source for quality bolts, screws, nuts, washers and other industrial fasteners.**

3211 West 9th Street, Trainer, PA 19061-5242 TOLL FREE: 1-800-662-7459 LOCAL: 610-485-5700 FAX: 610-485-5877

E-MAIL: [sales@coburnmyers.com](mailto:sales@coburnmyers.com)